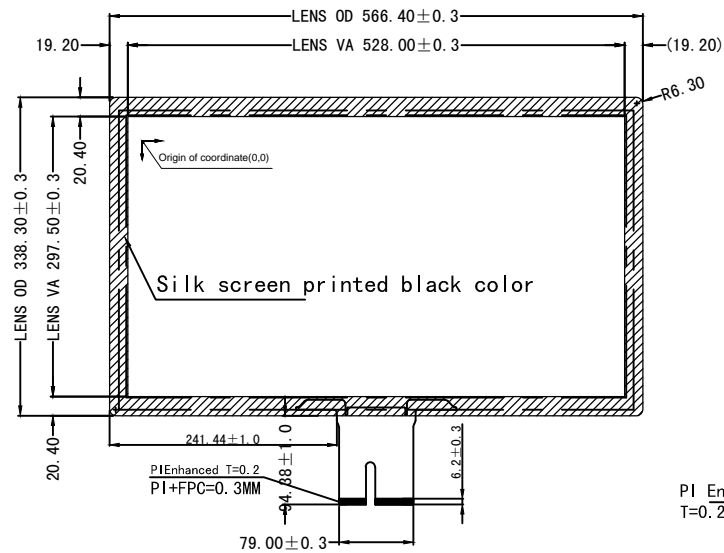
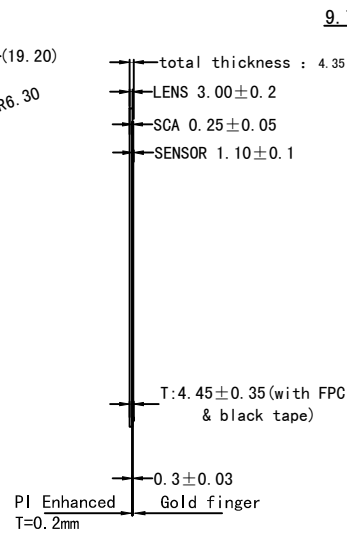


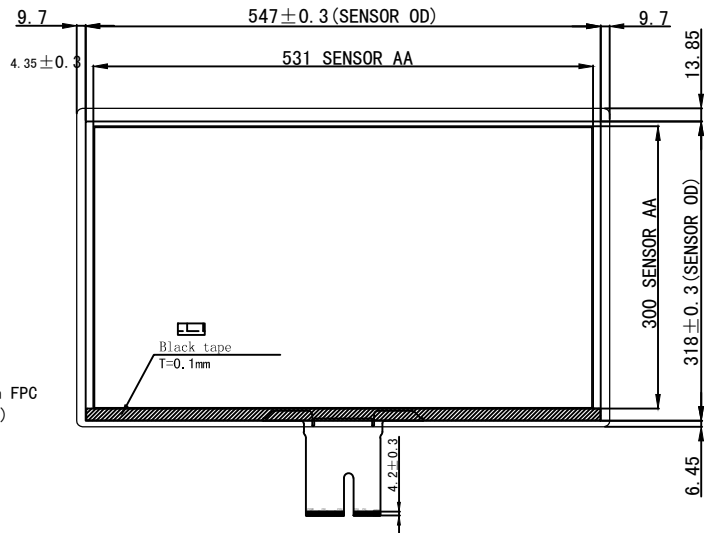
Front view



Side view



Back view



Technical Spec:

- COVER LENS :Physical strength tempered glass
- Interface : USB;
- IC:EXC80H84; 10 points touch;
- Surface hardness  $\geq 7H$ ;
- Transmittance  $\geq 85\%P$ ;
- Common tolerance  $\pm 0.3$ mm;
- Follow RoHS standard;
- Operating Temperature:  $-20^{\circ}C \sim +70^{\circ}C$ ,
- Storage Temperature:  $-30^{\circ}C \sim +80^{\circ}C$ ,



USB Connector	
PIN	define
1	VDD/5V
2	D-
3	D+
4	GND
5	GND

TP DRAWING		Technica House Incorporation			
Sheet	1 of 1	Model NO.		TEC238057A	
UNIT	mm	CUSTOMER P/N		23.8"	
Rev.	A0	Designed	Brian	Date	2019-08-21
Scale	FIT	Checked	JP Lin	Date	2019-08-21
		Approved		Date	